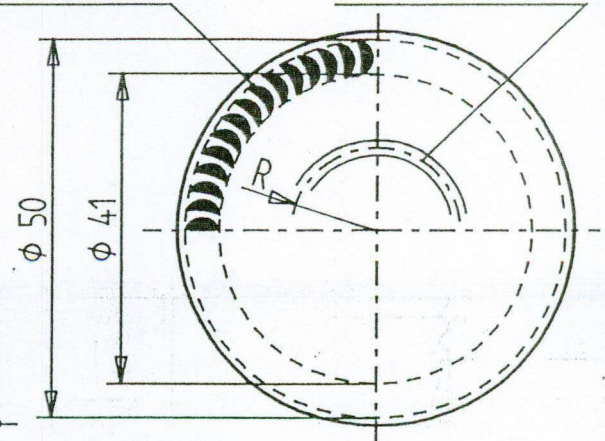


N° 60 KNURLING

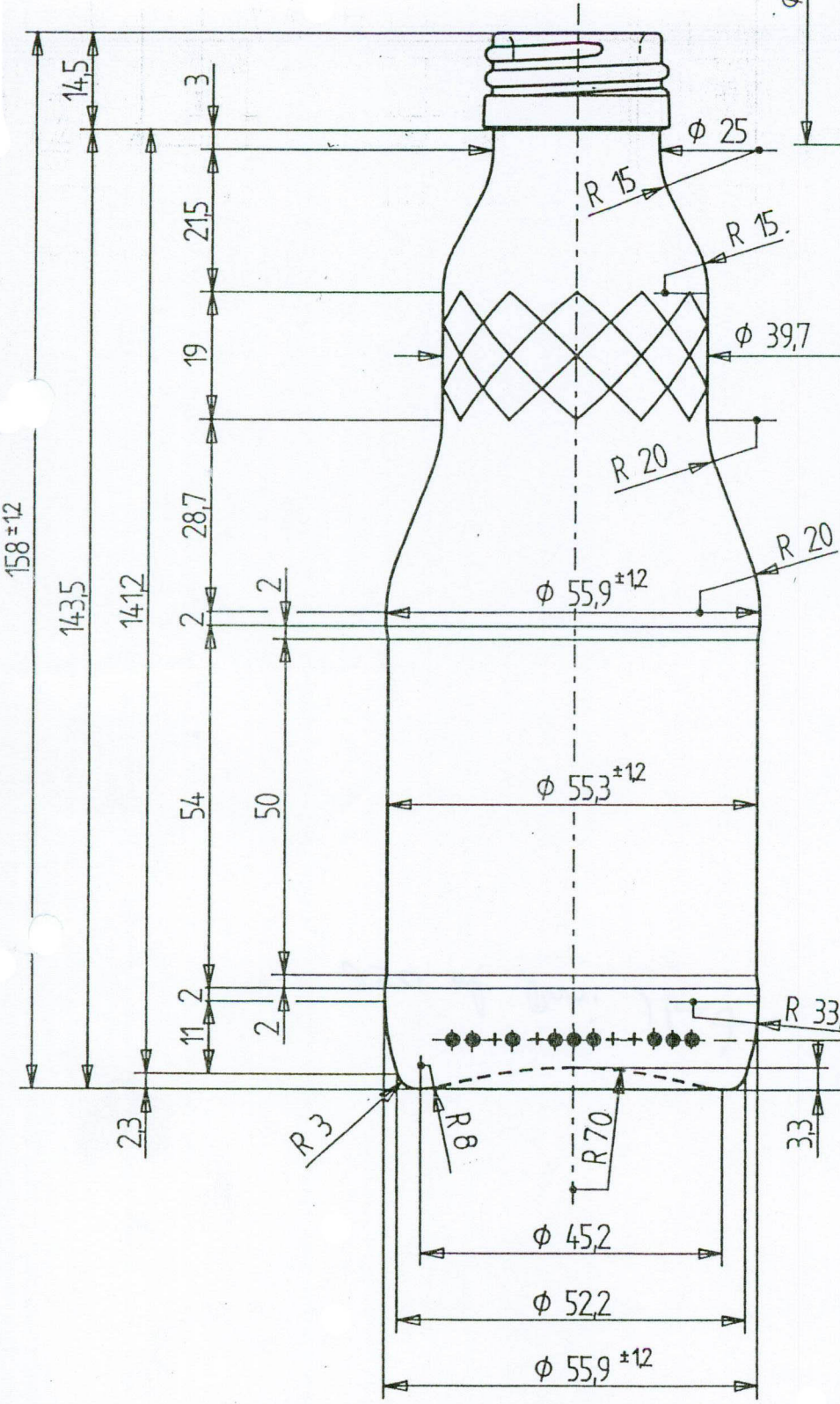
"AGR" HEEL CODE



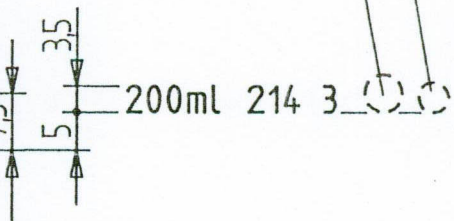
BOTTOM VIEW

ENGRAVING TO BE 0,6 WIDE
0,35 DEEP FLANK ANGLE 35°
12 EQUALLY SPACED LINES
STARTING AND FINISHING 60°
APART AROUND THE CIRCUMER.

(12 ELICHE EGUALMENTE SPAZIATE
Prof. 0,35 - LARGH. 0,6 - APERTURA
BULINO 70° - SVILUPPO ELICHE 60°)



MOULD N°
TRADE MARK



9 DOT HEEL CODE
180° FROM ENGRAVINGS

ARTICOLO: ARTICLE:	200 ml. JUICE B.
IMBOCC: FINISH:	MCA 1

CAPACITA' R.B.: BRIMFUL:	214 ± 6
CAPACITA' LIV.: FILLING LEVEL:	200
PESO gr.: WEIGHT gr.:	140 ~